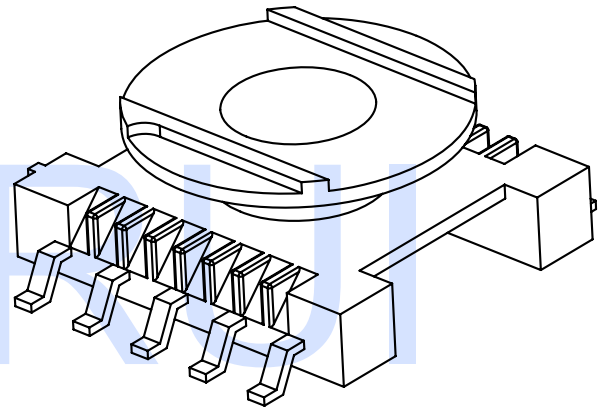
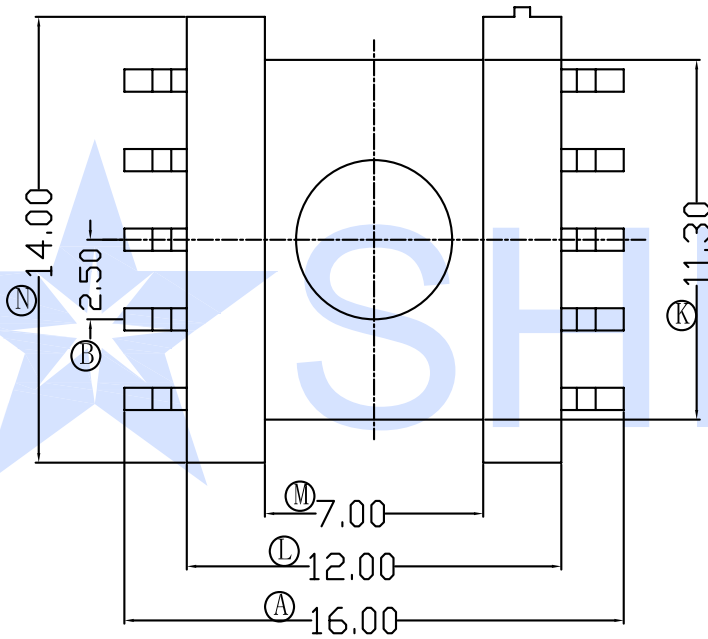
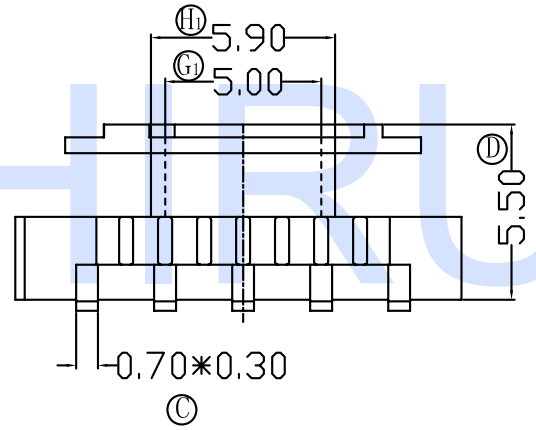
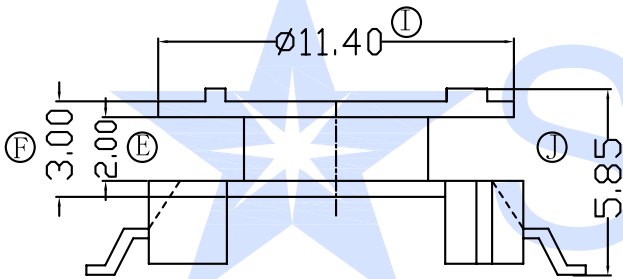


P/N

SR-SMD ER14.5



Hefei Shirui Electronic Technology Co., Ltd

TEL: (0086) 55165232650

sales@shiruitech.com

www.shiruitech.com

SR NO. SR-SMD ER14.5	MATERIAL: PM9630	UNIT: mm	TOLERANCE	DRN.	WILL H
MODEL NAME: SMD-ER14.5-10P-1S	UL REC: UL 94V-0	ANGLE: \pm °		0 L 4 ± 0.10	CHD.
	SCALE 1:1		4 L 16 ± 0.20	ISSD.	JAMES HU
			16 L 64 ± 0.30		
			PIN PITCH ± 0.05		